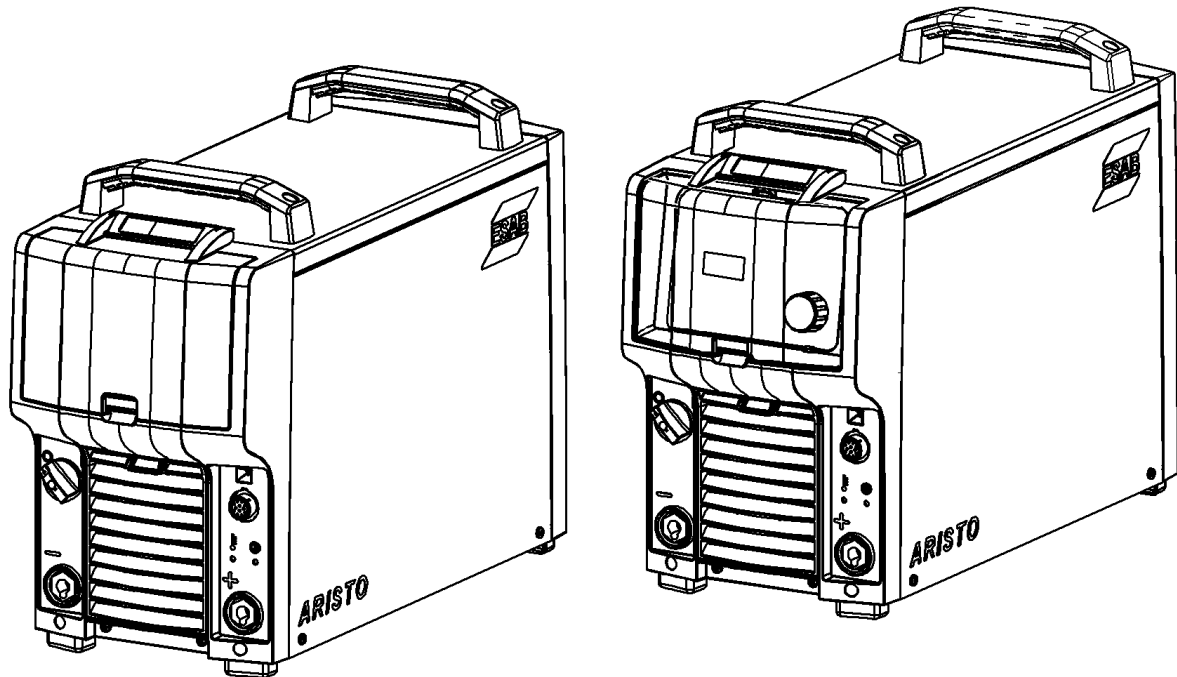


Spare parts list

Edition 101119



Valid for serial no. 033-xxx-xxxx, 044-xxx-xxxx

Ordering no. Product

0462 153 880	Aristo 300, max current 300A
0462 153 882	Aristo 300, max current 300A, with A44 control panel
0462 154 880	Aristo 400, max current 400A
0462 154 882	Aristo 400, max current 400A, with A44 control panel
0462 155 880	Aristo 500, max current 500A
0462 155 882	Aristo 500, max current 500A, with A44 control panel
0459 839 051	Spare parts list for control panel MA43, MA44, A44

Spare parts are to be ordered through the nearest ESAB agency. Kindly indicate type of unit, serial number, denominations and ordering numbers according to the spare parts list.

Maintenance and repair work should be performed by an experienced person, and electrical work only by a trained electrician. Use only recommended spare parts.

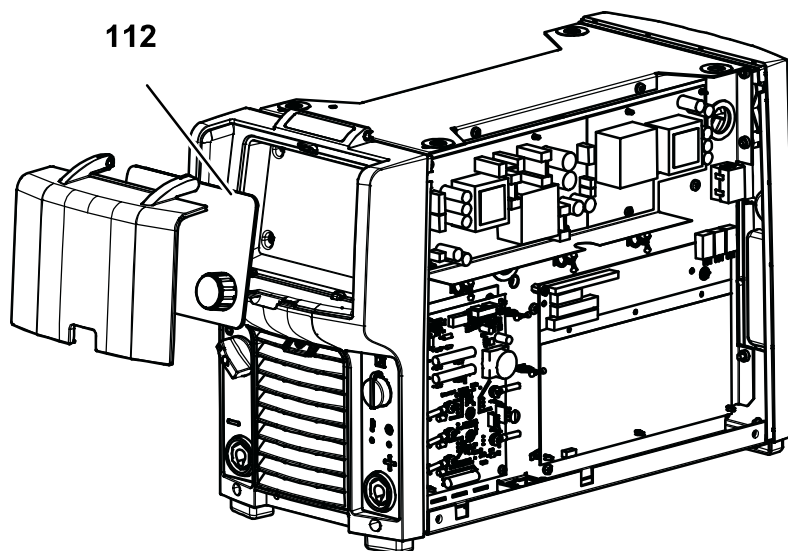
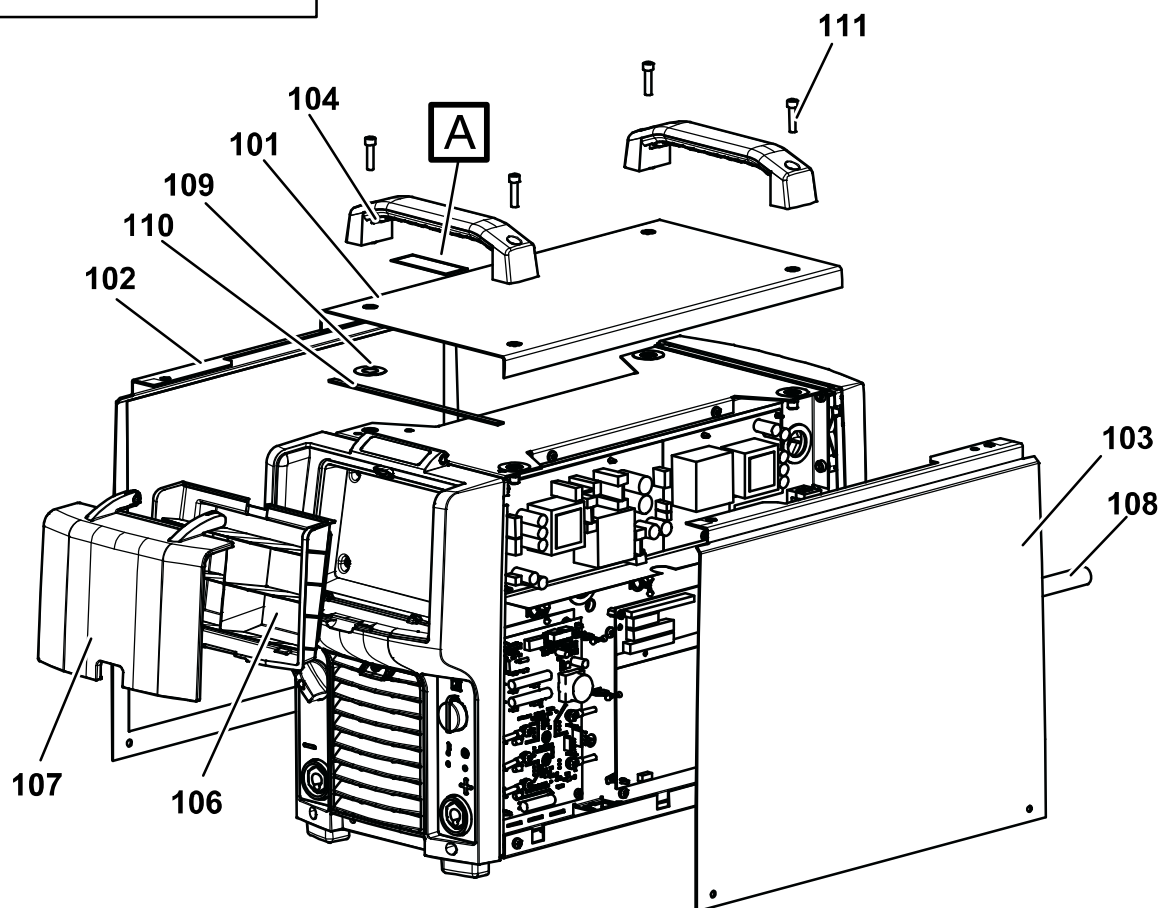
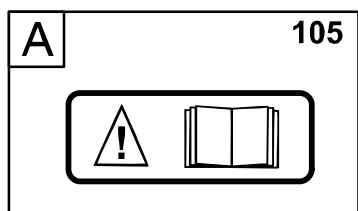
Rights reserved to alter specifications without notice.

Aristo 300, Aristo 400, Aristo 500

C = component designation in the circuit diagram

Item	Qty	Ordering no.	Denomination	Notes
101	1	0462 158 001	Cover	
102	1	0462 157 001	Side panel left	
103	1	0462 157 002	Side panel right	
104	2	0462 159 001	Handle	
105	1	0458 950 001	Sign	
106	1	0462 218 001	Tool box	Only for power source without control panel
107	1	0462 299 001	Lid MMC PS	
108	1	0468 516 887	Main cable	
109	4	0349 312 581	Washer insulation	
110	2	0192 526 002	Sealing strip	
111	4	0212 106 234	Screw IN6 D140	MC6S M6x25
112	1	0462 991 882	MMC module A44	Only for power source with control panel, see separate spare part list.

Aristo 300, Aristo 400, Aristo 500



Aristo 300, Aristo 400, Aristo 500

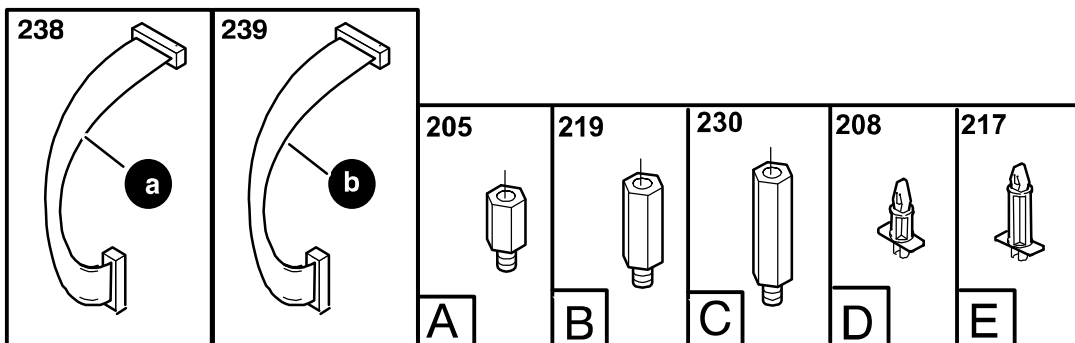
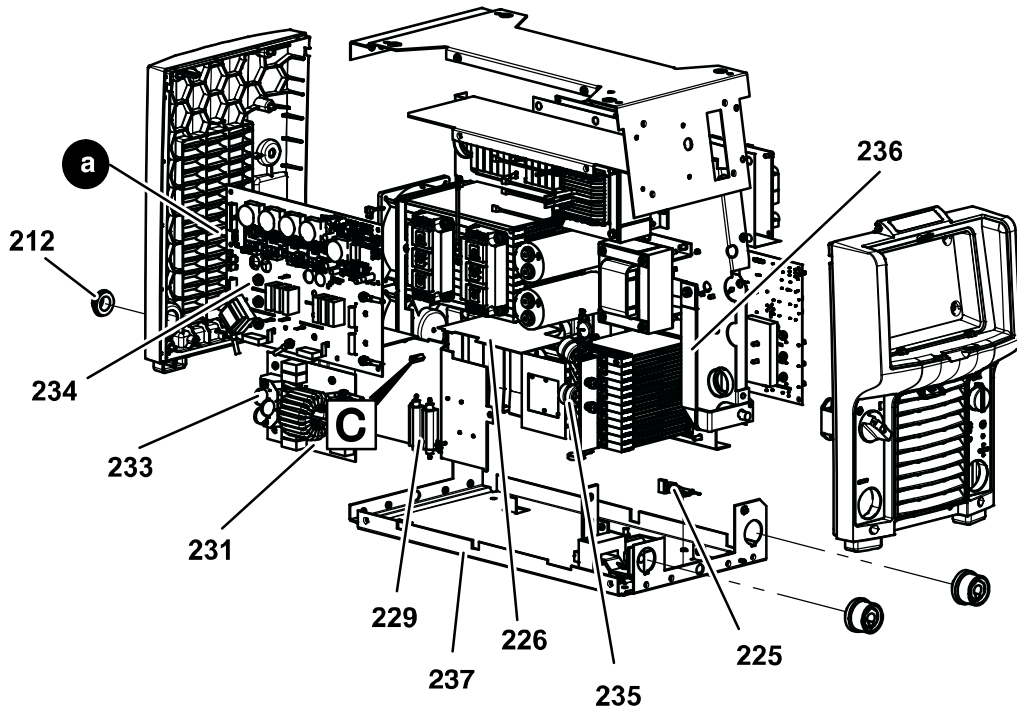
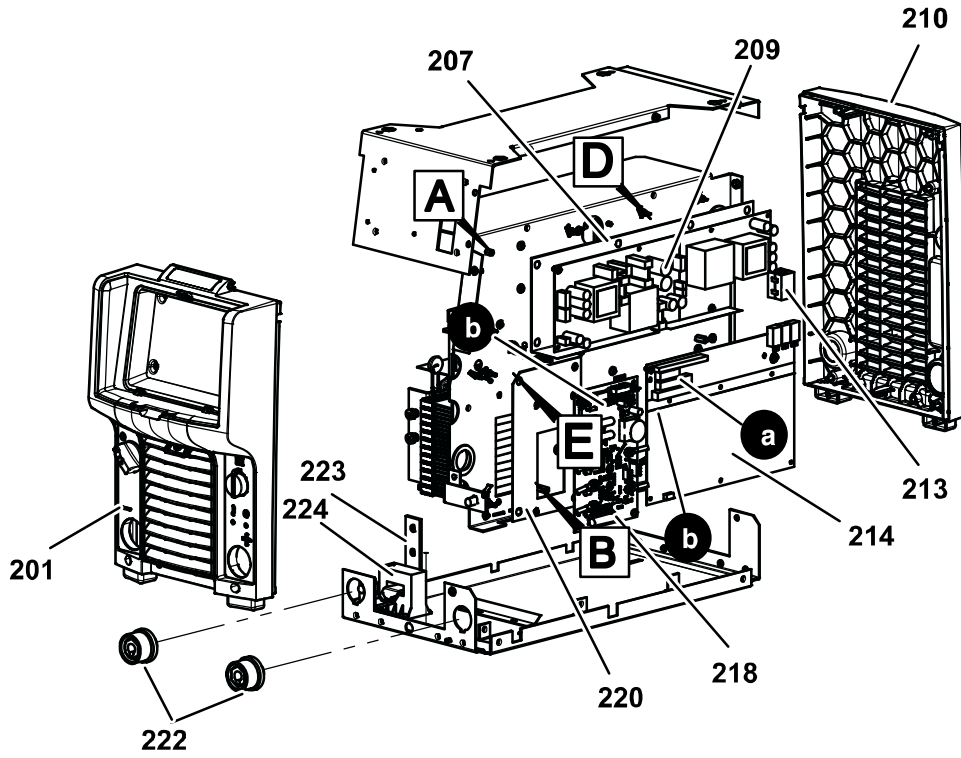
C = component designation in the circuit diagram

Item	Qty	Ordering no.	Denomination	Notes	C
201	1		Front complete	See on page 8	
205	2	0394 516 017	Distance screw	M4x8	
207	1	0462 201 001	Insulation plate		
208	6	0192 790 102	Circuit card holder	Spacer 6.3 mm	
209	1	0487 837 880	PC-Board	Internal power source	2AP3
210	1	0462 203 880	Rear complete		
212	1	0462 205 001	Gland		
213	1	0194 324 001	Ferrite core		2L2
214	1	0487 712 880	PC-board	PC-board configured for Aristo 300	20AP1
	1	0487 712 881	PC-board	PC-board configured for Aristo 400	20AP1
	1	0487 712 882	PC-board	PC-board configured for Aristo 500	20AP1
217	6	0192 790 104	Spacer	12.7 mm	
218	1		Rectifier	See item 250	2AP2
	1	0194 399 102	Fuse	Fuse S1 on 2AP2	
219	3	0394 516 020	Spacer screw	M4x15	
220	1	0462 201 001	Insulation plate		
222	2	0160 362 881	OKC machine contact	50mm2	
223	1	0462 193 001	Rail	For minus (-)	
224	1	0458 063 001	Current sensor		15AP2
225	1	0463 082 880	Capacitor complete	Include 3 pieces	15C3,15C4 15C5
226	1	0462 201 004	Insulation plate		
229	1	0462 183 880	Resistor complete	50 W 150 Ohm, Include 2 pieces	15R1,15R2
230	4	0394 516 021	Distance screw	M4x18	
231	1	0462 209 880	PC-board	EMC filter, includes item 233	2AP1
233	1	0463 092 880	PC-board	Varistor, included in item 231	
234	1	0487 801 880	PC-board	Power board	15AP1
235	4	0455 569 002	Ferrite ring core		15L2, 15L3, 15L4, 15L5
236	1	0462 174 002	Rail	OKC (+) to sec. inductor	
237	1	0462 192 001	Bottom plate with bracket		
238	1	0463 228 880	Ribbon cable	14 pole	20XS9, 2XS2
239	1	0463 227 880	Ribbon cable	20 pole	20XS10, 15XS3

SPARE PARTS SETS

Item	Qty	Ordering no.	Denomination	Notes
250	1	0463 195 880	Recifier set	Includes PC-board rectifier, fuse, 2 screws M4x20, 2 washer and thermal compound, roller and mounting instruction.
		0458 910 002	Roller handle	For the roller in the spare parts sets above
		0192 058 101	Thermal compound	

Aristo 300, Aristo 400, Aristo 500



Aristo 300, Aristo 400, Aristo 500

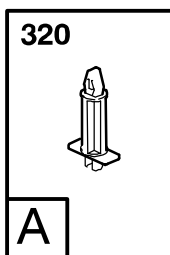
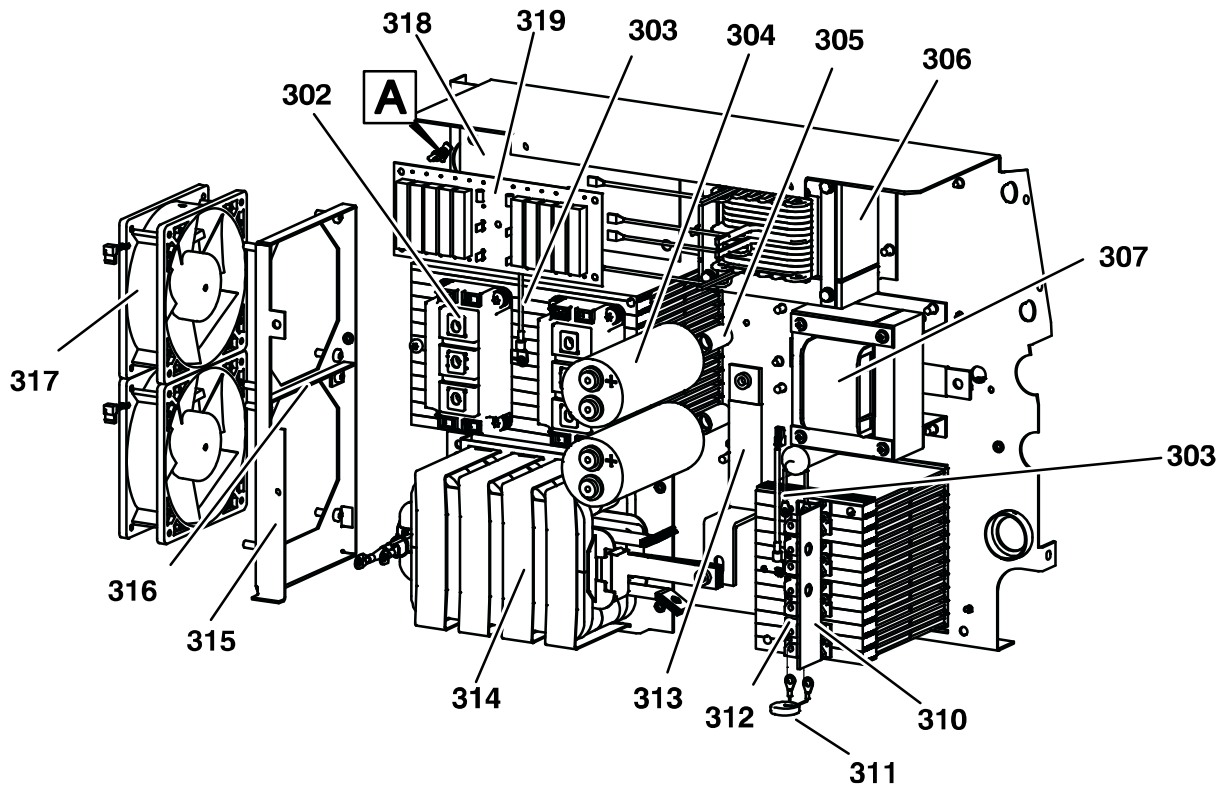
C = component designation in the circuit diagram

Item	Qty	Ordering no.	Denomination	Notes	C
302	2		IGBT module	See item 350	15Q1, 15Q2
303	2	0194 384 002	Thermal protector		
304	2	0462 178 001	Capacitor	1500 µF 450V	15C1, 15C2
305	2	0462 202 001	Plastic nut		
306	1	0462 176 001	Input inductor	Valid for serial no 033-xxx-xxxx	3L1
	1	0463 162 001	Input inductor	Valid for serial no 044-xxx-xxxx	3L1
307	1	0462 175 001	Output inductor		15L1
310	1	0462 185 001	Rail to diod		
311	2	0349 312 622	Varistor cpl.		15R3, 15R4
312	4		Diode	See item 351	15D1, 15D2, 15D3, 15D4
313	1	0462 174 001	Rail	minus (-) transformer to sec. ind.	
314	1	0462 172 880	Transformer complete		15TM1
315	1	0462 169 001	Bracket (fan)		
316	1	0462 179 001	Bracket		
317	2	0462 316 880	Fan with contact		5EV1
318	1	0463 137 001	Insulation plate	Valid for serial no 044-xxx-xxxx	
319	1	0463 138 880	Harmonic suppressor PC-board	Valid for serial no 044-xxx-xxxx	3AP1
320	5	0192 790 104	Spacer	Valid for serial no 044-xxx-xxxx	

SPARE PARTS SETS

Item	Qty	Ordering no.	Denomination	Notes
350	1	0463 212 880	IGBT set	Includes 2 IGBT modules, thermal compound, 8 screws M6x16, roller and mounting instruction
351	1	0463 213 880	Diode set	Includes 4 diodes, thermal compound, 16 screws M4x8, Belleville washer, roller and mounting instruction
	1	0458 910 002	Roller handle	For the roller in the spare parts sets above
		0192 058 101	Thermal compound	

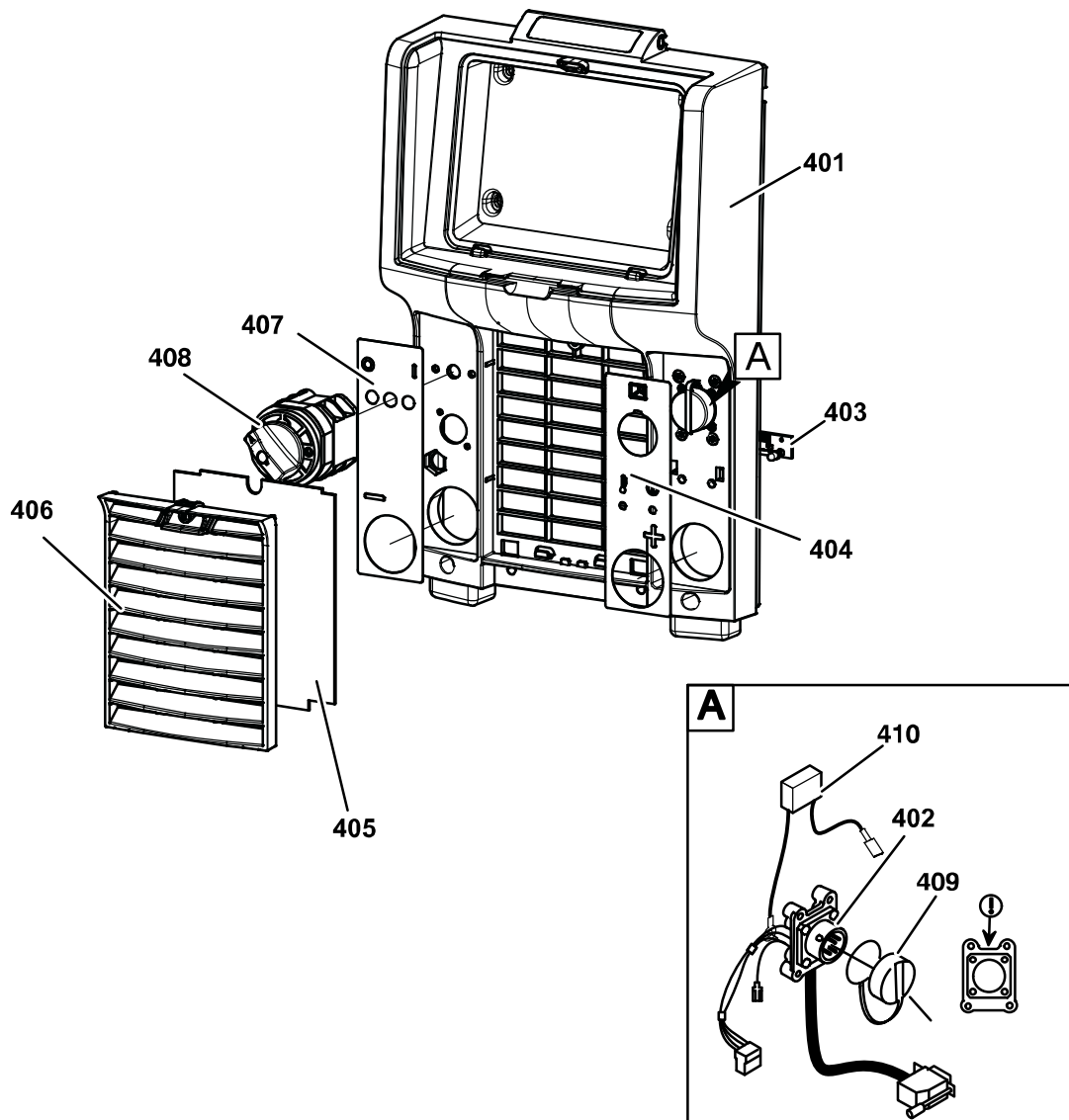
Aristo 300, Aristo 400, Aristo 500



Aristo 300, Aristo 400, Aristo 500

C = component designation in the circuit diagram

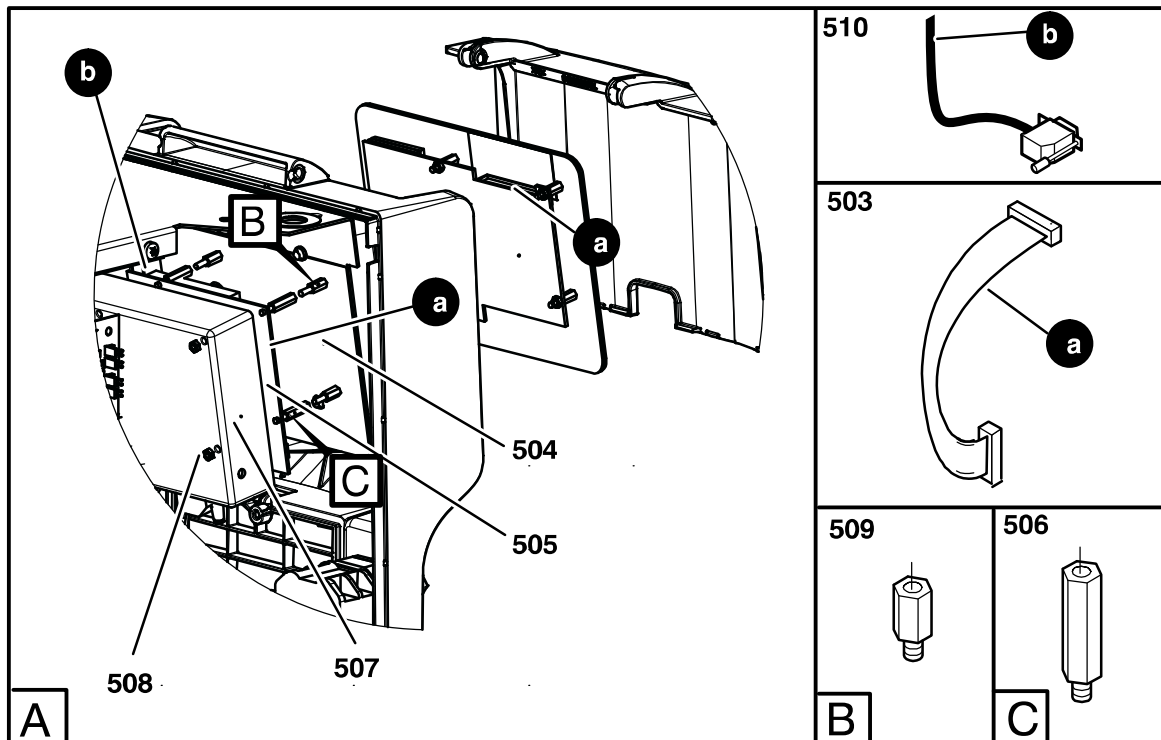
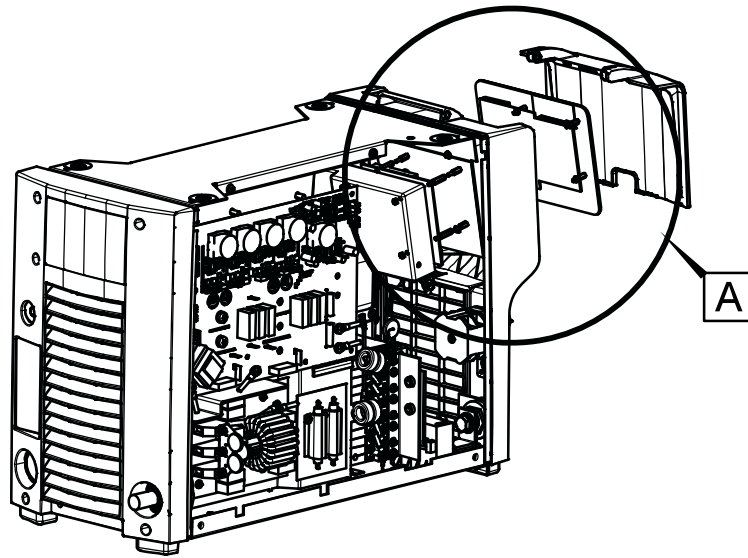
Item	Qty	Ordering no.	Denomination	Notes	C
		0462 194 880	Front complet	Includes item 401 - 407, 409 - 410	
401	1	0462 195 001	Front panel		
402	1	0462 214 880	Panel socket	12 pole (8+4), cabel and item 410 included	XS3, 20XP1, 20XS6, 2XS7, 2L2
403	1	0462 196 001	PC-board	LED	20AP2
404	1	0463 006 001	Label	PS right	
405	1	0462 197 001	Dust filter		
406	1	0462 198 001	Grill		
407	1	0463 006 002	Label	PS left	
408	1	0462 211 001	Main switch complete		2QF1
409	1	0366 285 001	Protection cap	12 pole	
410	1	0467 911 886	Capacitor	0.1 uF 250 V, included in item 402	C1



Aristo 300, Aristo 400, Aristo 500


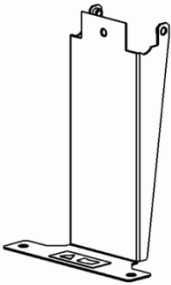
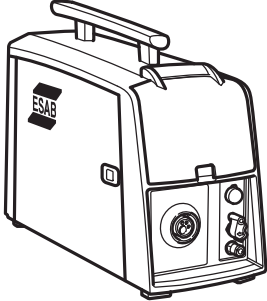

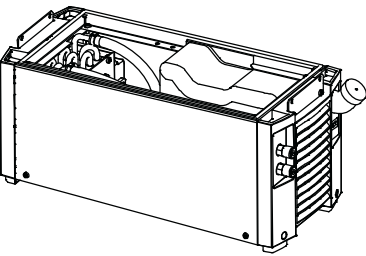
C = component designation in the circuit diagram

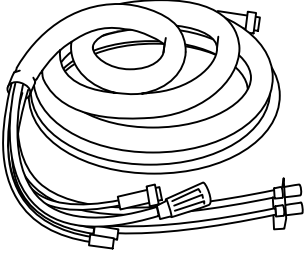



Item	Qty	Ordering no.	Denomination	Notes	C
503	1	0462 190 880	Ribbon cable	MMC	1XS1, 1XS2
504	1	0349 480 635	Insulation	MMC	
505	1	0487 293 981	PC board		1AP1
506	4	0458 537 001	Distance screw	M3x17	
507	1	0458 538 001	Screening box		
508	4	0212 601 103	Nut	M3, 6k Steel 8.8	
509	4	0349 480 633	Distance screw	M3	
510	1	0458 357 886	Cable MMC	0.7 m. Connected to PC-board 20AP1	1XP1, 20XP2




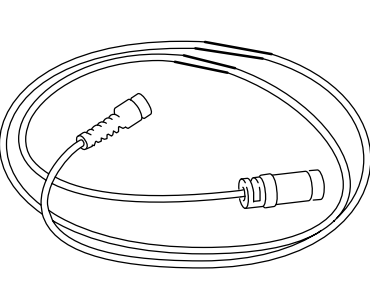
Aristo 300, Aristo 400, Aristo 500

Accessories

	<p>Trolley 0462 151 880 Spare parts list for trolley 0459 839 039</p>
	<p>Trolley bracket 0463 125 880 option when no cooling unit is assembled</p>
	<p>Aristo F 300 MA43 0462 250 883 Aristo F 300 MA43, with water 0462 250 893 Aristo F 300 MA44 0462 250 884 Aristo F 300 MA44, with water 0462 250 894</p>
	<p>MobileFeed 300 AVS 0558 005 728</p>
	<p>Cooling unit COOL 1 0462 300 880</p>

	<p>Connection set, 70 mm² With 12 pole (8+4) cable plug/socket</p> <p>2 m 0462 150 780</p> <p>5 m 0462 150 781</p> <p>10 m 0462 150 782</p> <p>15 m 0462 150 783</p> <p>25 m .. . 0462 150 784</p> <p>35 m 0462 150 785</p>
	<p>Connection set water, 70 mm² With 12 pole (8+4) cable plug/socket</p> <p>2 m 0462 150 790</p> <p>5 m 0462 150 791</p> <p>10 m 0462 150 792</p> <p>15 m 0462 150 793</p> <p>25 m 0462 150 794</p> <p>35 m 0462 150 795</p>
	<p>Connection set, 95 mm² With 12 pole (8+4) cable plug/socket</p> <p>2 m 0462 150 980</p>
	<p>Connection set water, 95 mm² With 12 pole (8+4) cable plug/socket</p> <p>2 m 0462 150 990</p> <p>Spare parts</p> <p>Cable socket, 12 pole (8+4) 0194 357 891</p> <p>Cable plug, 12 pole (8+4) 0194 357 892</p>
	<p>Remote control unit MTA1 CAN 0459 491 880</p> <p>MIG/MAG: wire feed speed and voltage</p> <p>MMA: current and arc force</p> <p>TIG: current, pulse and background current</p>
	<p>Remote control unit AT1 CAN 0459 491 883</p> <p>MMA and TIG: current</p>

Aristo 300, Aristo 400, Aristo 500

	<p>Remote control unit AT1 CF CAN 0459 491 884 MMA and TIG: rough and fine setting of current</p>
	<p>Remote control cable 12 pole (8+4)- 4 pole 0.25m 0462 958 880 5m 0462 958 881 10m 0462 958 882 25m 0462 958 883</p>

For more information of the accessories contact the nearest ESAB agency.

